

WIRING DIAGRAM

WIRING HARNESS CODE

EN01J22ZZZ020707001001

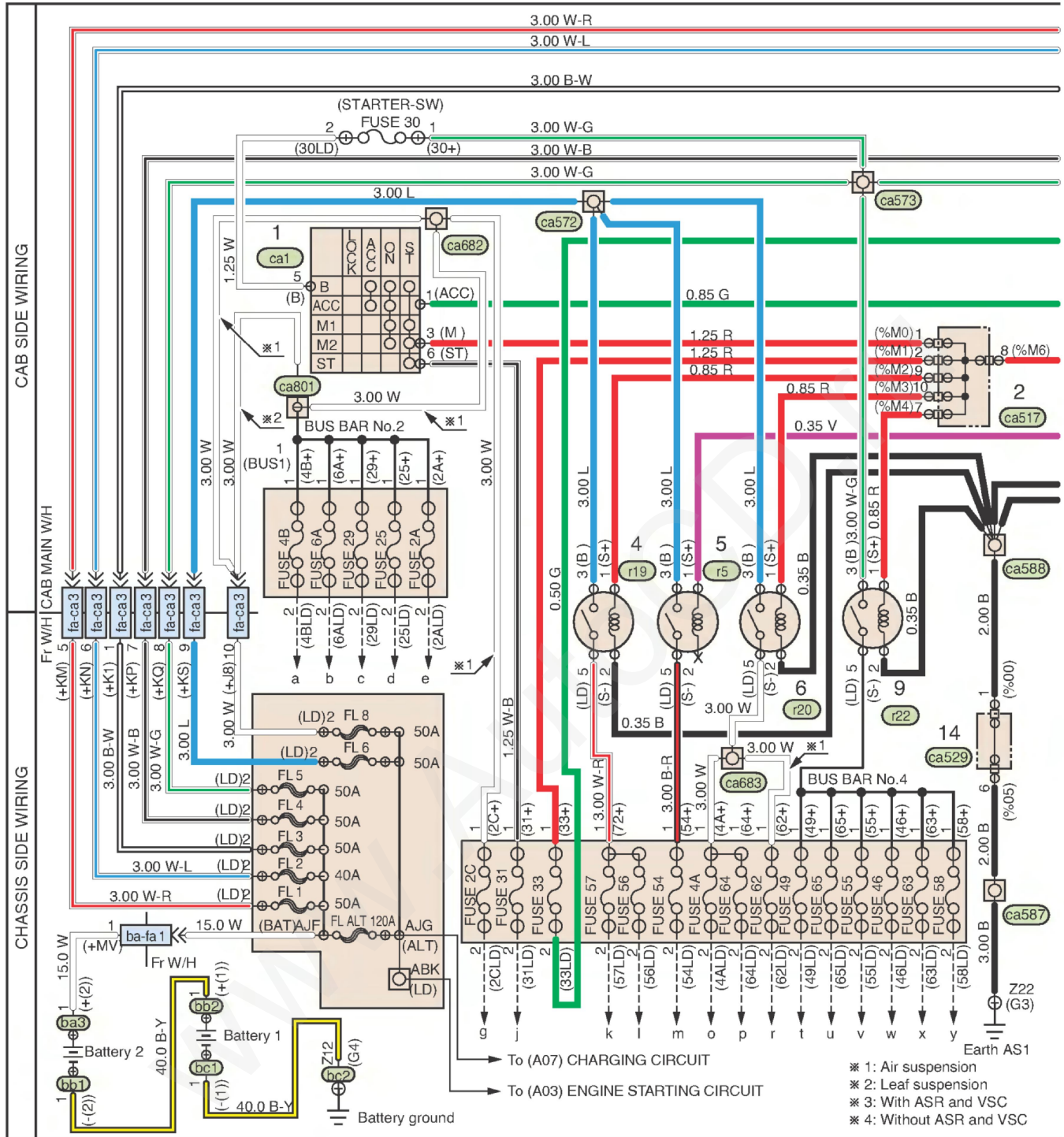
NOTICE

There is case that the circuit diagram in this section are different from that for your vehicle due to the model or specification.

| CODE | NAME | |
|------|---|----------------------|
| ca | Cab main wiring harness | CAB MAIN W/H |
| cb | Door RH wiring harness | DOOR RH W/H |
| cc | Door LH wiring harness | DOOR LH W/H |
| cd | Roof wiring harness | ROOF W/H |
| ce | Floor wiring harness | FLOOR W/H |
| | | |
| fa | Front wiring harness | Fr W/H |
| fb | Intermediate wiring harness | INT W/H |
| fc | Rear wiring harness | Rr W/H |
| fd | After treatment wiring harness | Rr W/H |
| | | |
| ba | Battery No.1 cable (Starter to Battery) | — |
| bb | Battery No.2 cable (Battery to Battery) | — |
| bc | Battery No.3 cable (Battery to Ground) | — |
| | | |
| ea | Engine No.1 wiring harness | ENGINE No.1 W/H |
| eb | Engine No.2 wiring harness | ENGINE No.2 W/H |
| | | |
| ia | Injector sub wiring harness | — |
| | | |
| ra | Relay connector | — |
| | | |
| oa | Transmission sub wiring harness (MX06) | T/M W/H (MX06) |
| ob | Transmission sub wiring harness (ZF) | T/M W/H (ZF) |
| oc | Transmission PTO sub wiring harness | T/M PTO W/H |
| od | Headlight sub wiring harness | H/LIGHT W/H |
| oe | ABS ECU sub wiring harness | ABS ECU W/H |
| of | Headlight leveling sub wiring harness | H/LIGHT LEVELING W/H |
| og | Brake valve No.1 sub wiring harness | BRAKE VALVE No.1 W/H |
| oh | Brake valve No.2 sub wiring harness | BRAKE VALVE No.2 W/H |

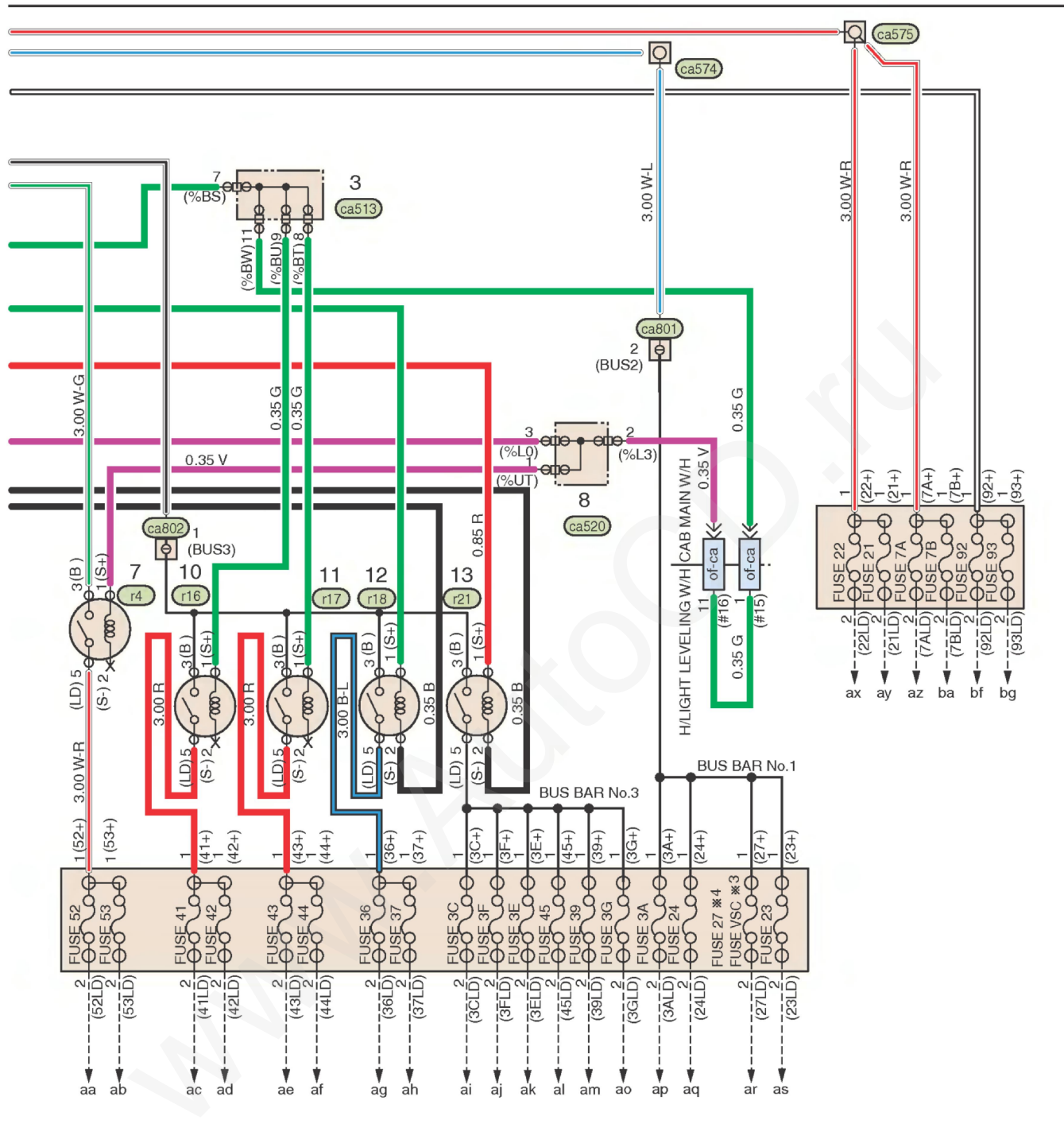
A01. POWER SUPPLY CIRCUIT

EN01J22ZZZ0207001002



SHTS22ZZZ0200001

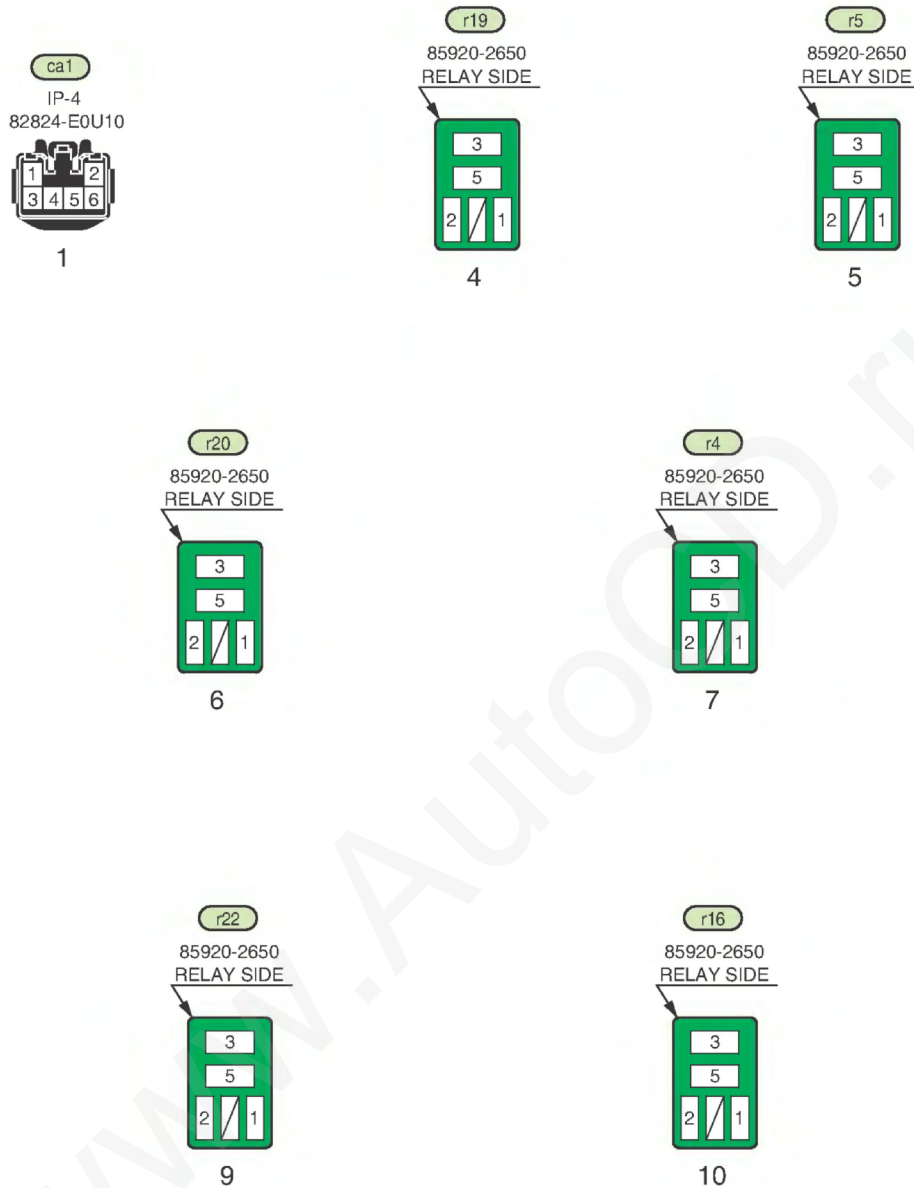
- 1. Starter switch
- 2. J/C-RB2
- 3. J/C-RB1
- 4. Power relay No.3
- 5. Tail light relay No.2
- 6. Power relay No.4
- 7. Tail light relay No.1
- 8. J/C-ALL1
- 9. Power relay No.1
- 10. Headlight relay (Main)
- 11. Headlight relay (Dimmer)
- 12. Power accessory relay
- 13. Power relay No.2



SHTS22ZZZ0200002

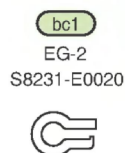
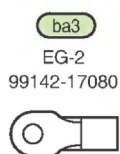
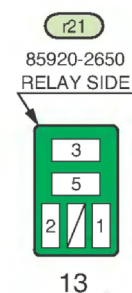
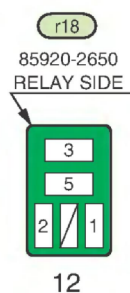
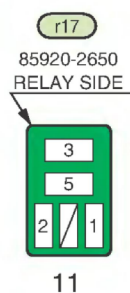
- a. To (F01) Heater relay
- b. To (F01) Air conditioner relay, Air conditioner condenser relay
- c. To (E12) Power window switch (Driver's side)
- d. To (D12) Dome light, (E15) Door lock controller
- e. To (A08) Service power (Cab-1), Service power (Cab-3)
- g. To (M02) Air suspension ECU
- j. To (A03) Starter cut relay, Engine ECU
- k. To (D07) Backup light relay, Backup light switch, (H03) Differential lock switch, (M01) Air dryer
- l. To (E04) Mirror heater relay, Mirror heater switch
- m. To (D03) DC/DC converter (Leveling), (D10) Fog light relay, Rear fog light switch
- o. To (F01) Air conditioner relay, Heater relay
- p. To (A08) Service power (Cab-1)
- r. To (M02) Air suspension ECU, Air suspension controller release switch
- t. To (D05) Stop light relay
- u. To (L01, L05) Clutch stroke switch, (L01) PTO position switch, (L05) ZF PTO relay
- v. To (A03) Neutral switch No.1, (E09) Seat heater switch, (E12) Power window switch (Driver's side), (N01) Diagnosis standard connector, Diagnosis option connector
- w. To (E13) Washer pump motor, Wiper controller, Wiper motor
- x. To (J06) Lo-Hi indicator light relay, Range Hi switch
- y. To (A13) Fuel heater

CONNECTORS FOR CIRCUIT "A01"



SHTS22ZZZ0200003

- aa. To (C01) Combination meter, (C09) Digital tachograph, (D01) Tail light relay No.1, (D04) Hazard switch, (D06) Front endout marker light, Clearance light, Side marker light, Rear combination light, (D07) License plate light, Rear combination light, Back buzzer, (E06) Radio/Audio unit, (F01) Blower switch, Air conditioner switch, (H01) VSC/ASR off switch
- ab. To (A08) Service power (Cab-1), Service power (Cab-3), Service power (Tail)
- ac. To (D01) Headlight RH
- ad. To (D01) Headlight LH, Combination meter (24 pin)
- ae. To (D01) Headlight RH
- af. To (D01) Headlight LH
- ag. To (E05) Cigarette lighter, (E06) Radio/Audio unit, (M02) Air suspension ECU, Combination meter
- ah. To (A08) Service power (Cab-3)
 - ai. To (C01) Speed sensor, Combination meter, Buzzer cancel switch, (C08) Coolant level controller, (C09) Digital tachograph
 - aj. To (A07) Alternator
 - ak. To (H01) ABS ECU (14 pin)
 - al. To (E10) Horn relay
- am. To (G10) Engine ECU, (G20) VCS ECU
- ao. To (G60) DCU (53 pin), NOx sensor
- ap. To (C01) Combination meter, (C09) Digital tachograph, (G10) Engine ECU, (K01) Cab tilt lock switch, (N02) Diagnosis connector

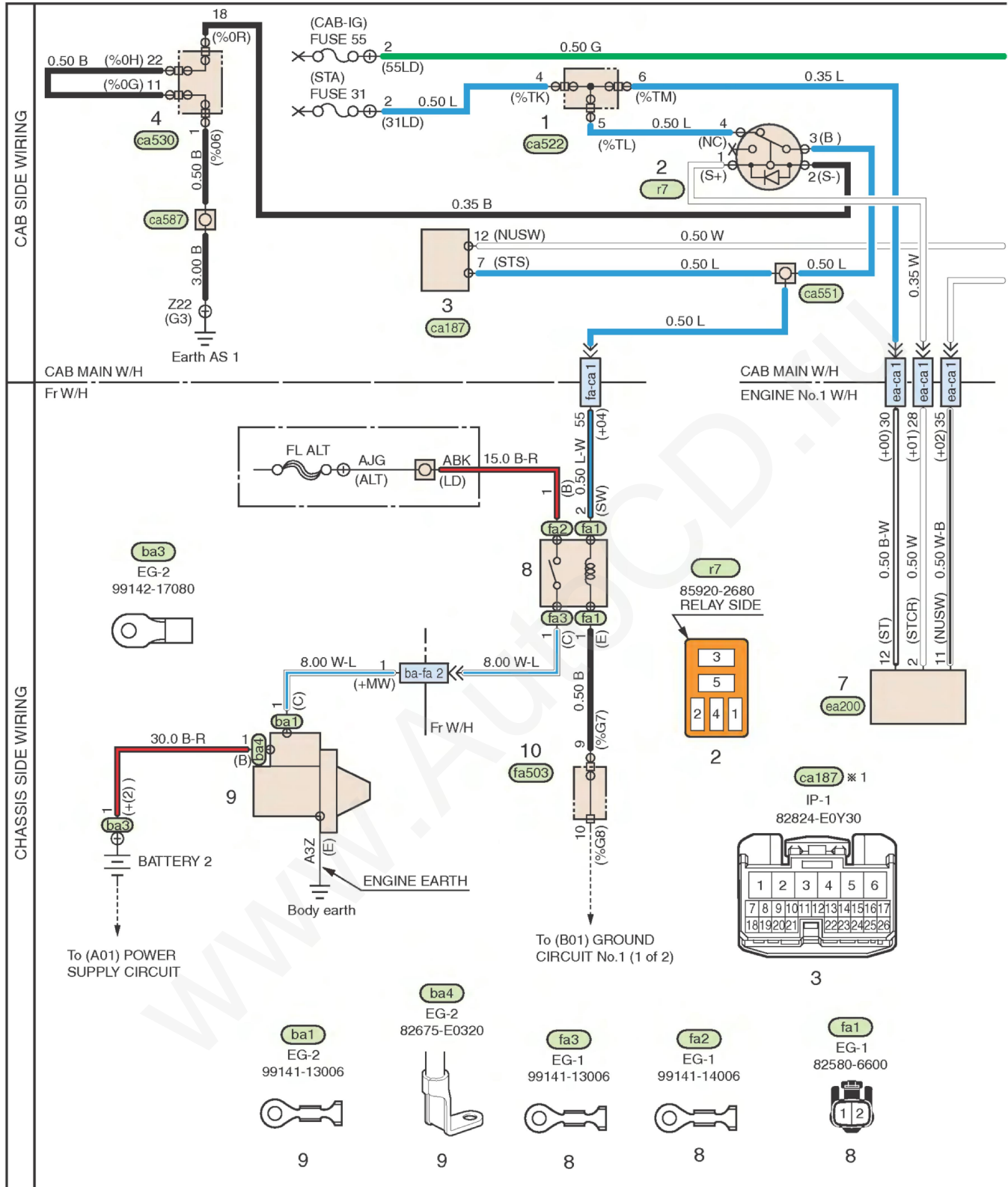


SHTS22ZZZ0200004

- aq. To (D04) Turn signal flasher
- ar. To (H01) ABS ECU (14 pin)
- as. To (E06) Radio/Audio unit
- ax. To (G10) Actuator power relay, ECU main relay
- ay. To (G10) Actuator power relay
- az. To (G20, G21, G23) VSS actuator relay
- ba. To (G20) VCS ECU
- bf. To (G60) DCU (53 pin)
- bg. To (G60) Urea tube heater relay

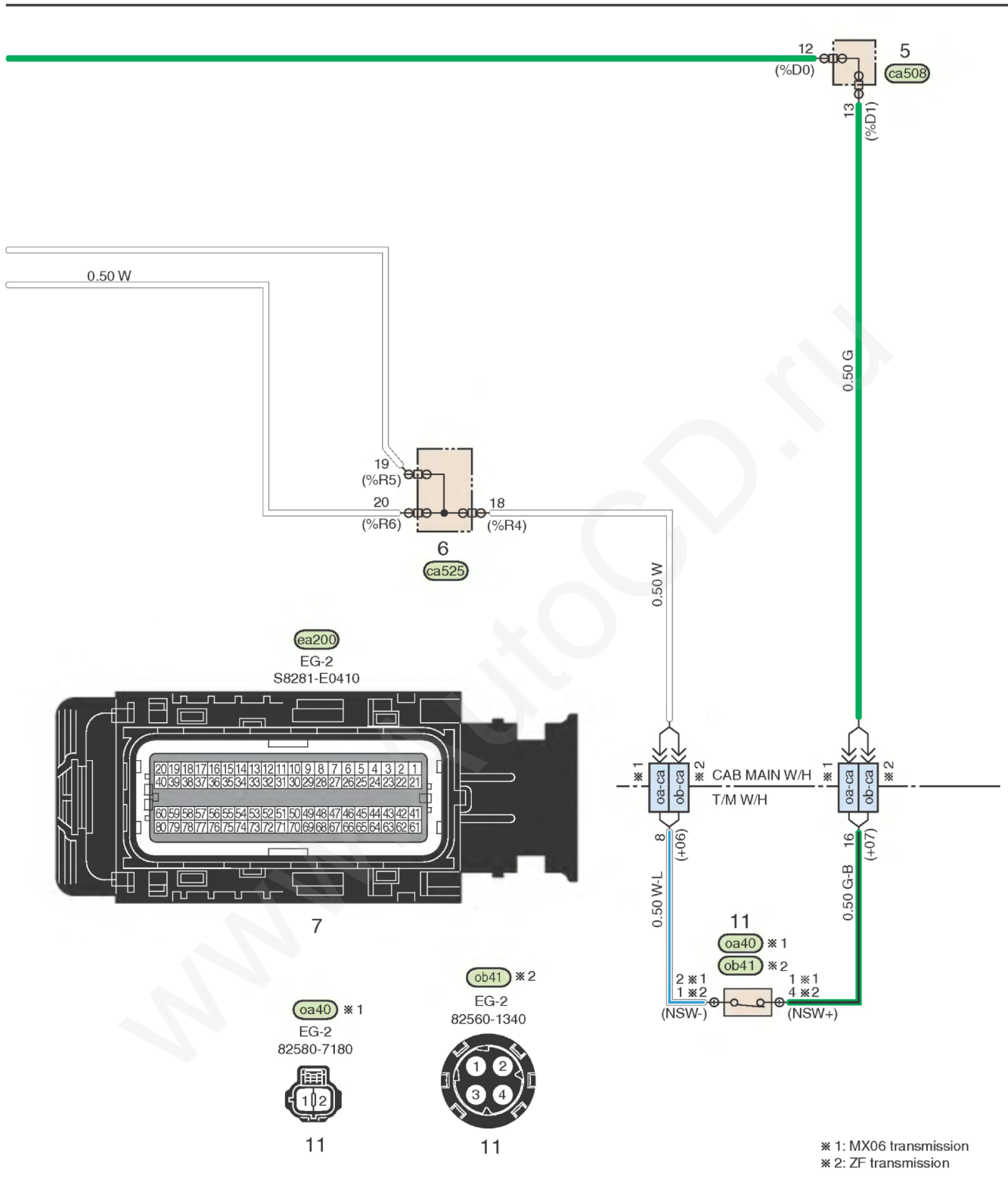
A03. ENGINE STARTING CIRCUIT

EN01J22ZZZ0207001003



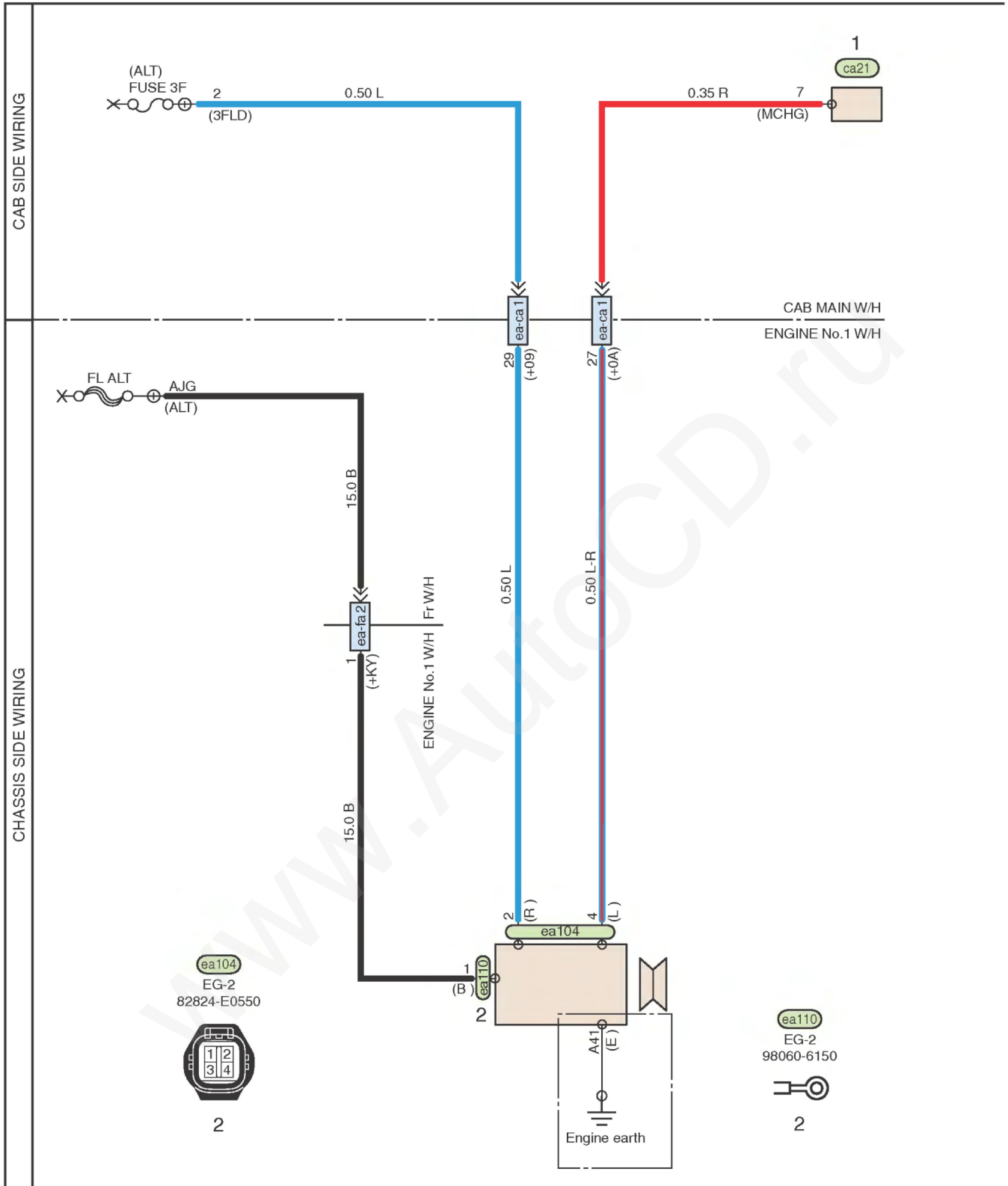
SHTS22ZZZ0200005

- | | |
|-------------------------|--------------------|
| 1. J/C-ALL3 | 7. Engine ECU No.1 |
| 2. Starter cut relay | 8. Starter relay |
| 3. VCS ECU (26P) | 9. Starter |
| 4. J/C-G3-P2 | 10. J/C-4 |
| 5. J/C-TAIL and CABIG 1 | 11. Neutral switch |
| 6. J/C-ALL7 | |



A07. CHARGING CIRCUIT

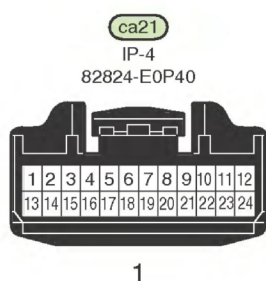
EN01J22ZZZ020707001004



SHTS22ZZZ0200007

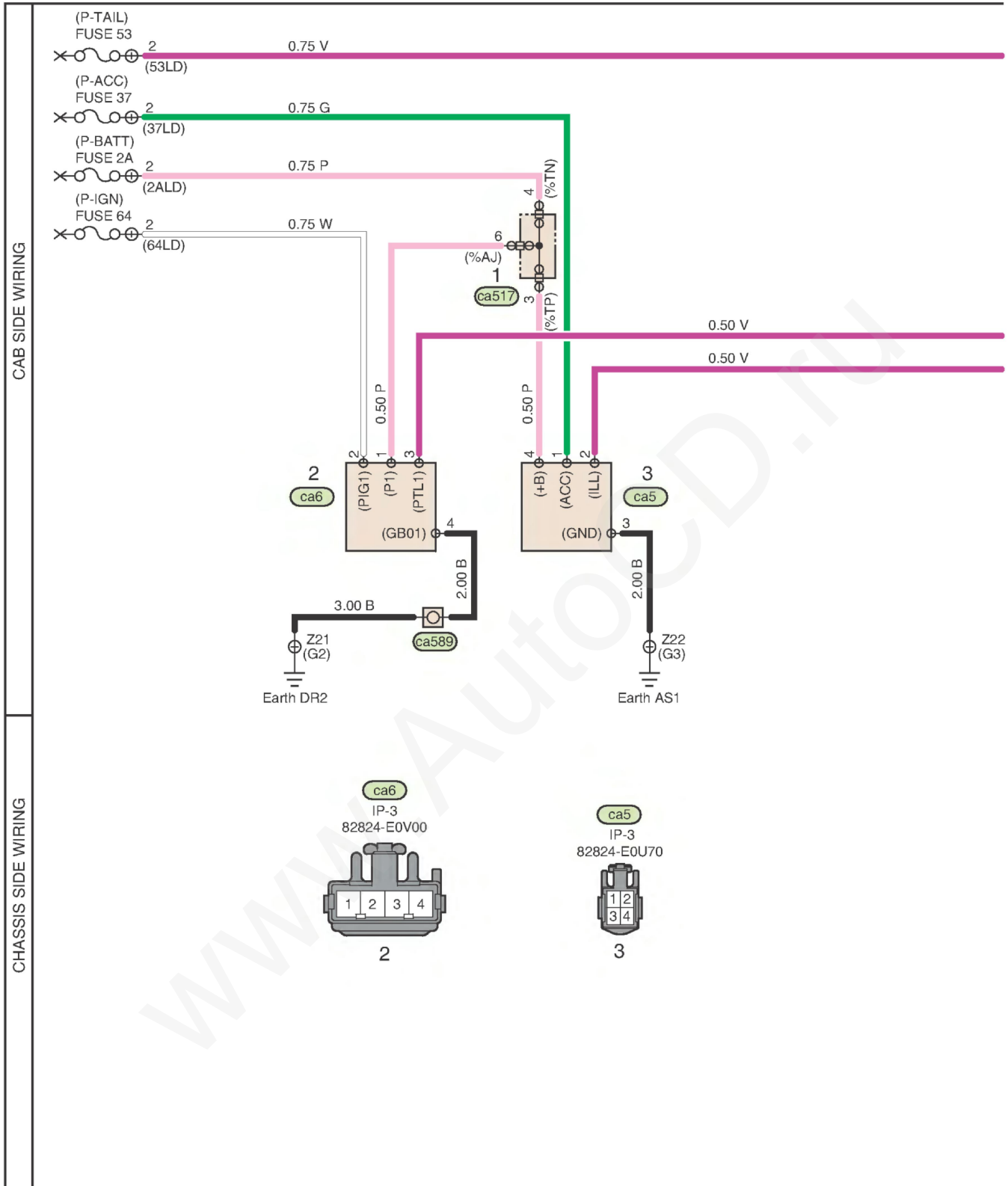
1. Combination meter (24 pin)

2. Alternator



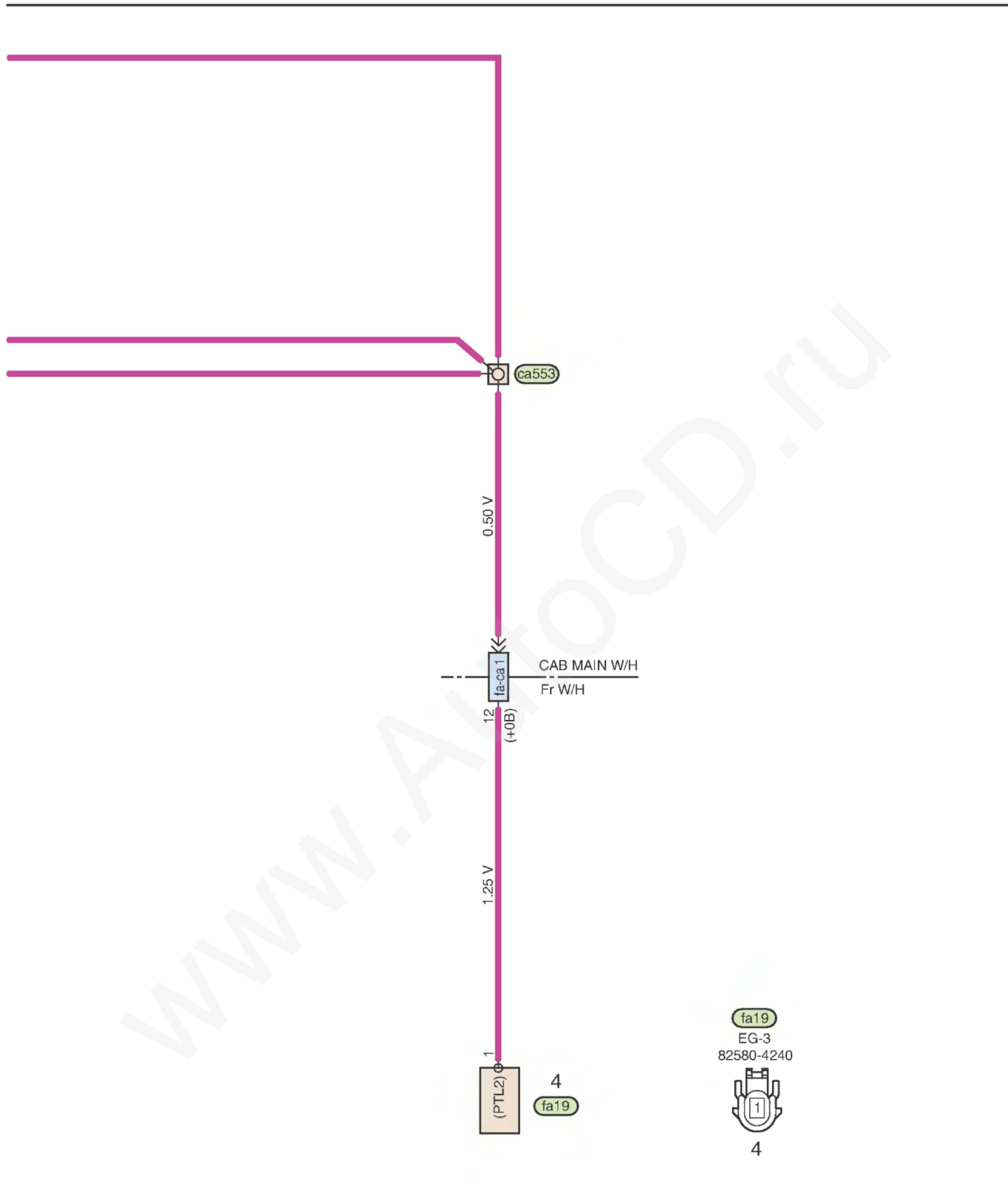
A08. ETC. SPARE POWER SUPPLY CIRCUIT

EN01J22ZZZ0207001005



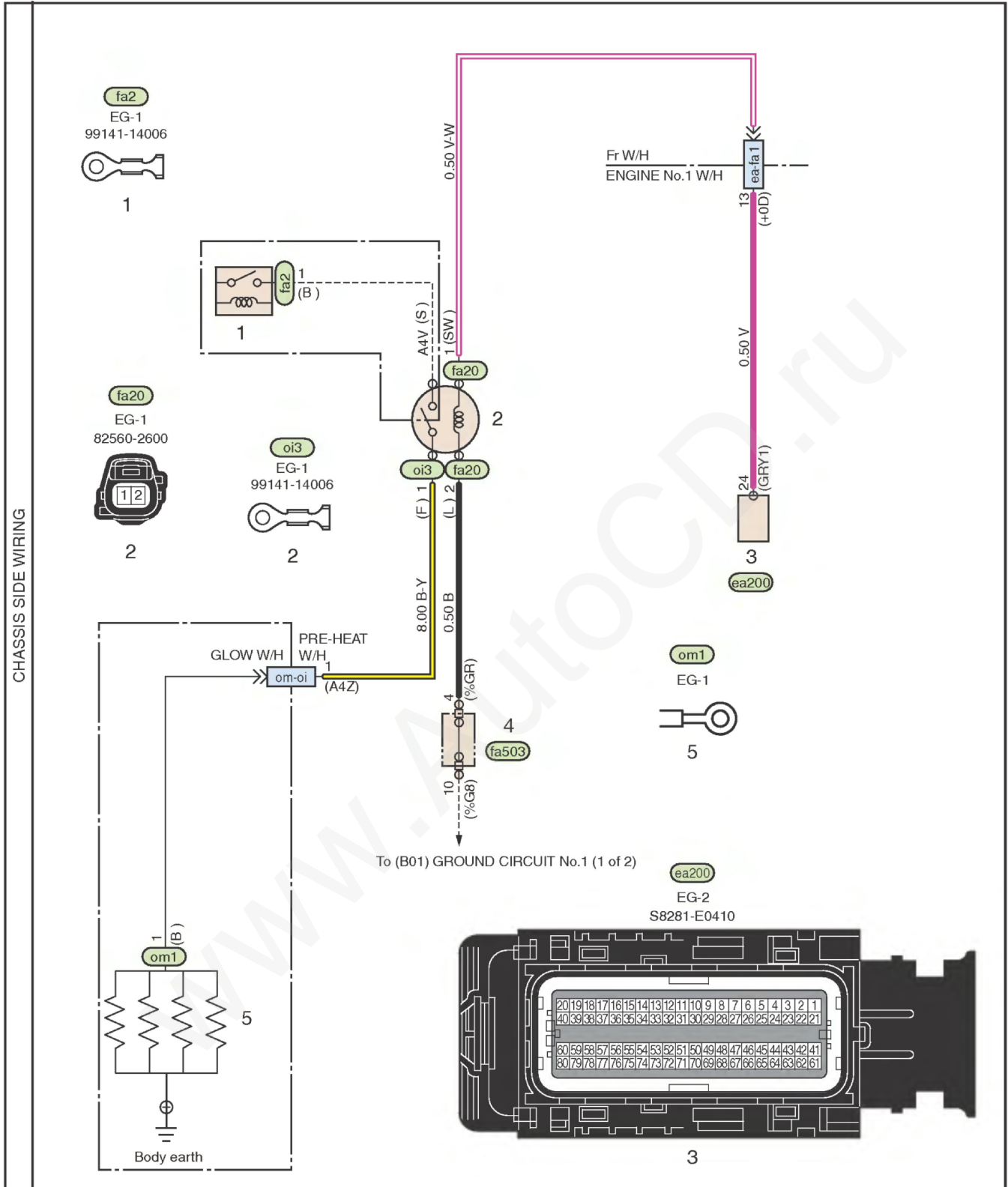
SHTS22ZZZ0200009

- 1. J/C-RB2
- 2. Service power (Cab-1)
- 3. Service power (Cab-3)
- 4. Service power (Tail)



A09. PREHEATER CIRCUIT

EN01J22ZZZ020707001006

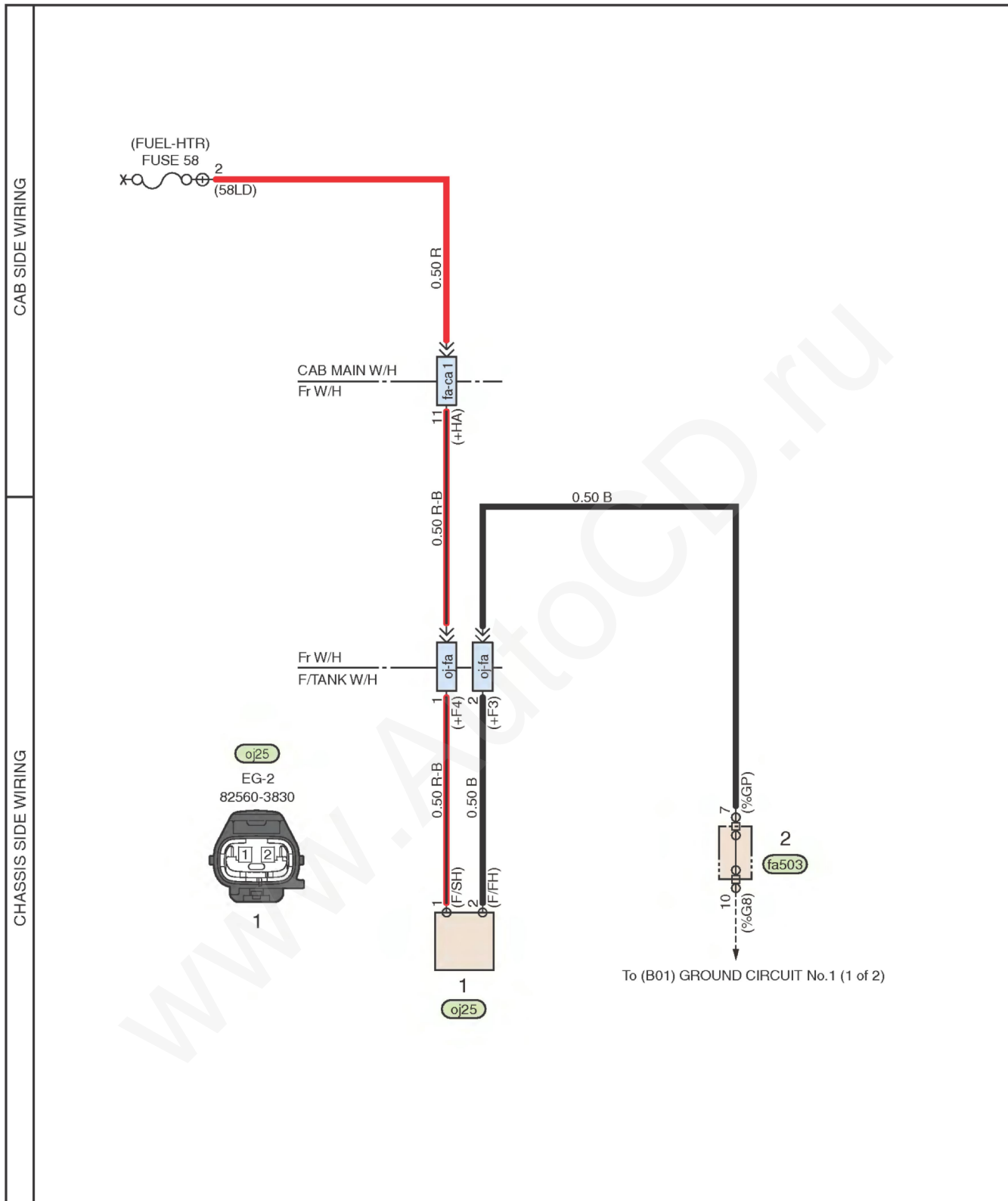


SHTS22ZZZ0200011

- 1. Starter relay (Terminal B)
- 2. Glow heater relay
- 3. Engine ECU No.1
- 4. J/C-4
- 5. Glow plug

A13. FUEL HEATER CIRCUIT

EN01J22ZZZ0207001007



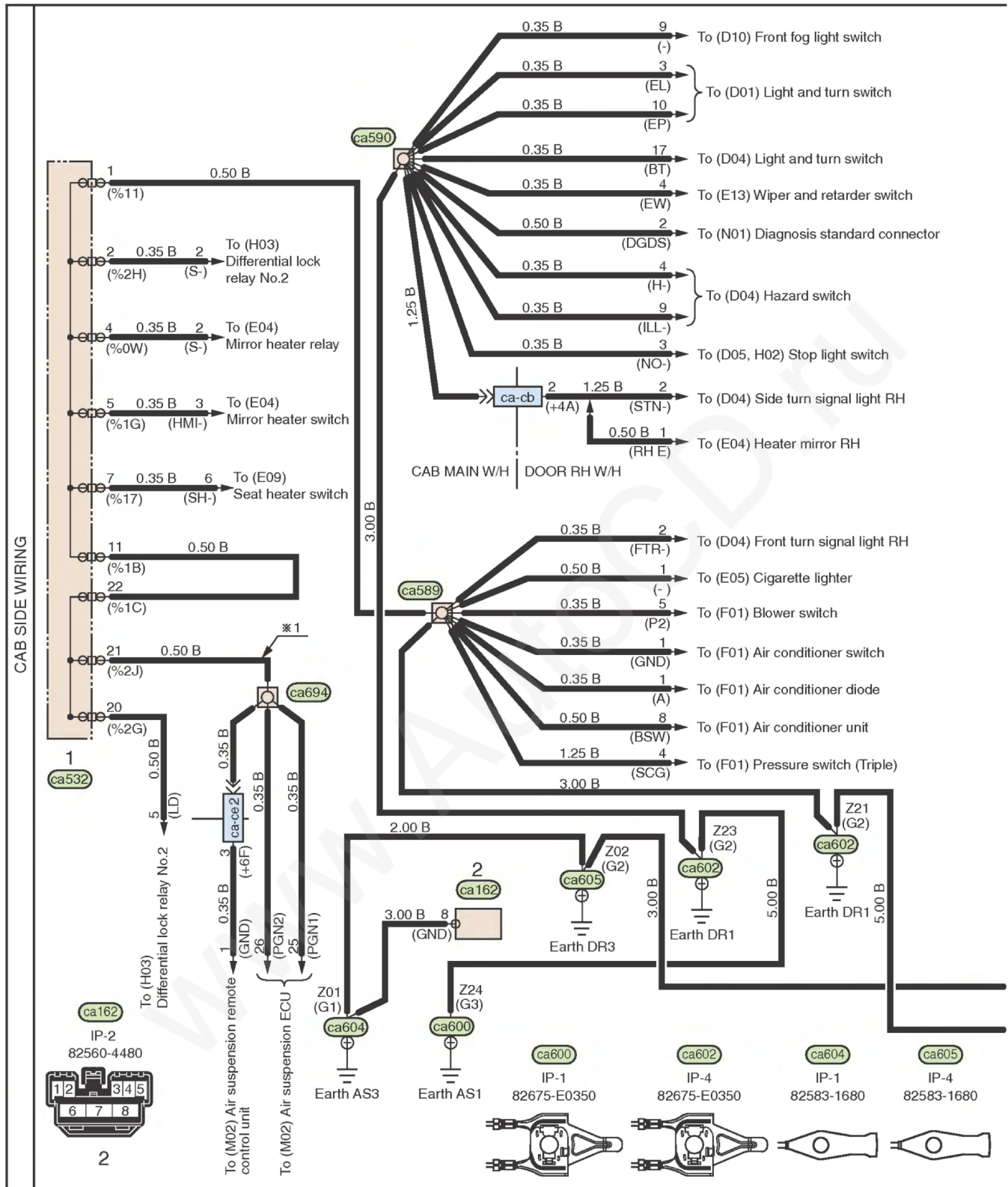
SHTS22ZZZ0200012

1. Fuel heater

2. J/C-4

B01. GROUND CIRCUIT No.1 (1 of 2)

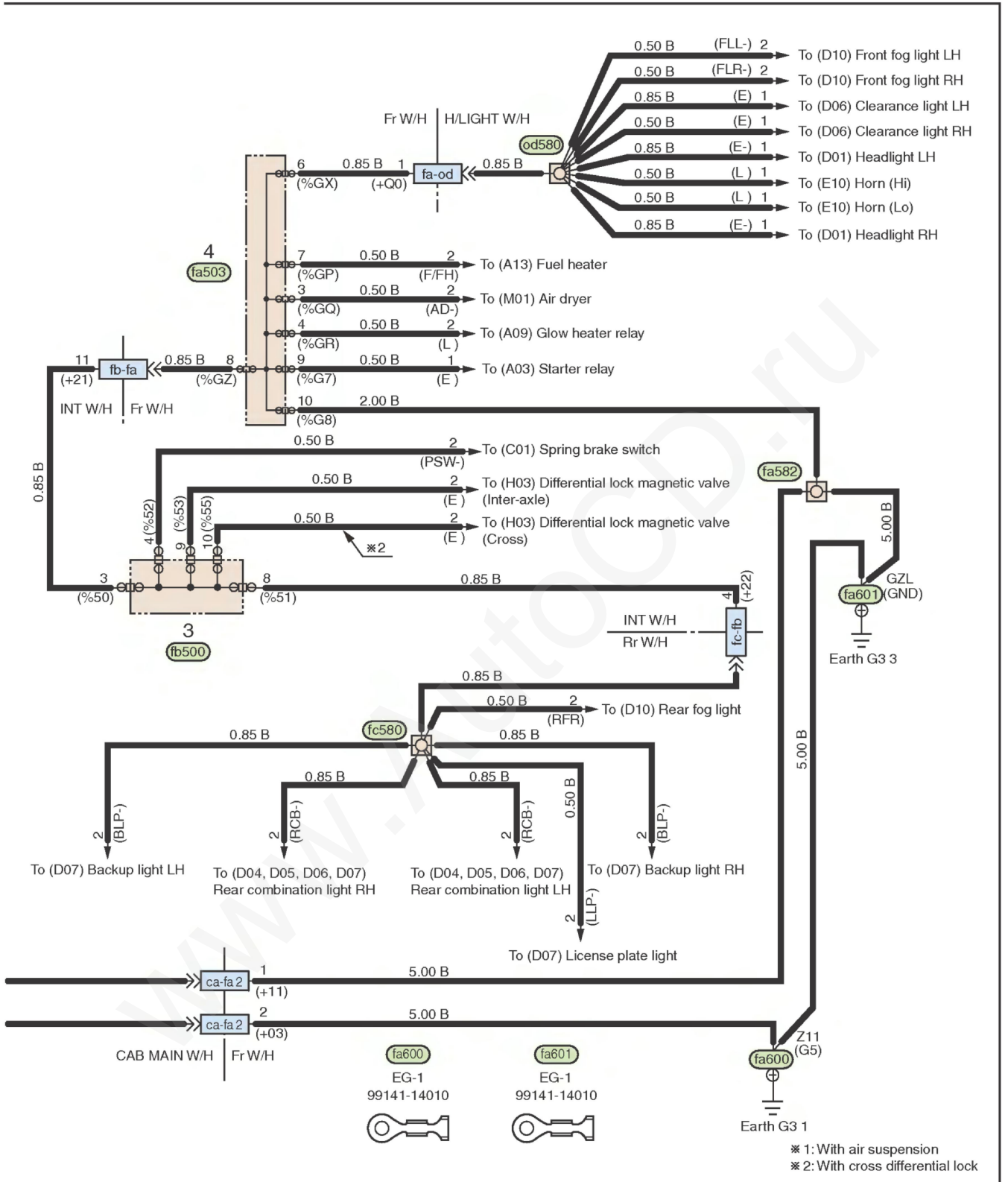
EN01J22ZZZ0207001008



SHTS22ZZZ0200013

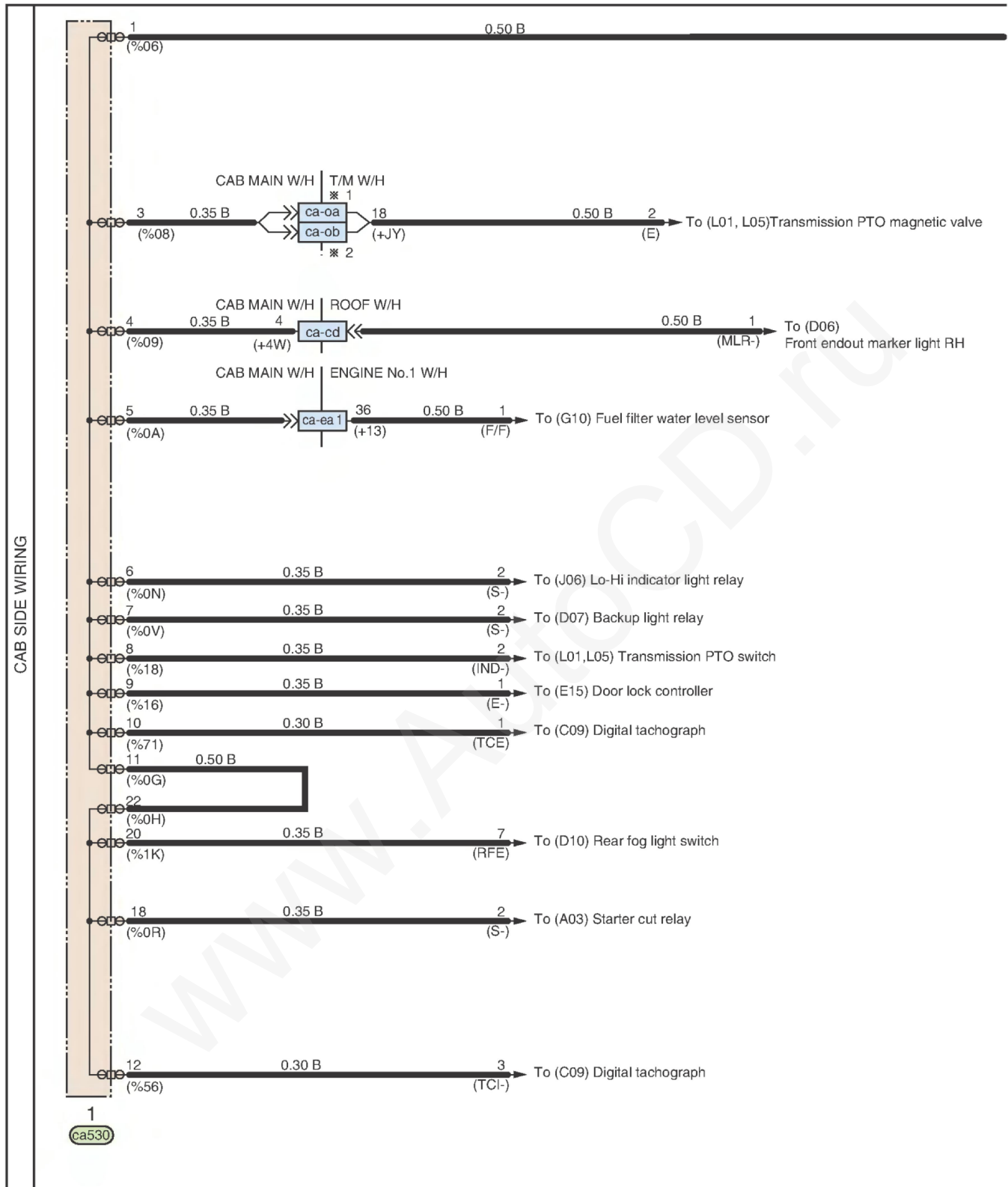
- 1. J/C-G3-CTR
- 2. Blower switch

- 3. J/C G3
- 4. J/C-4



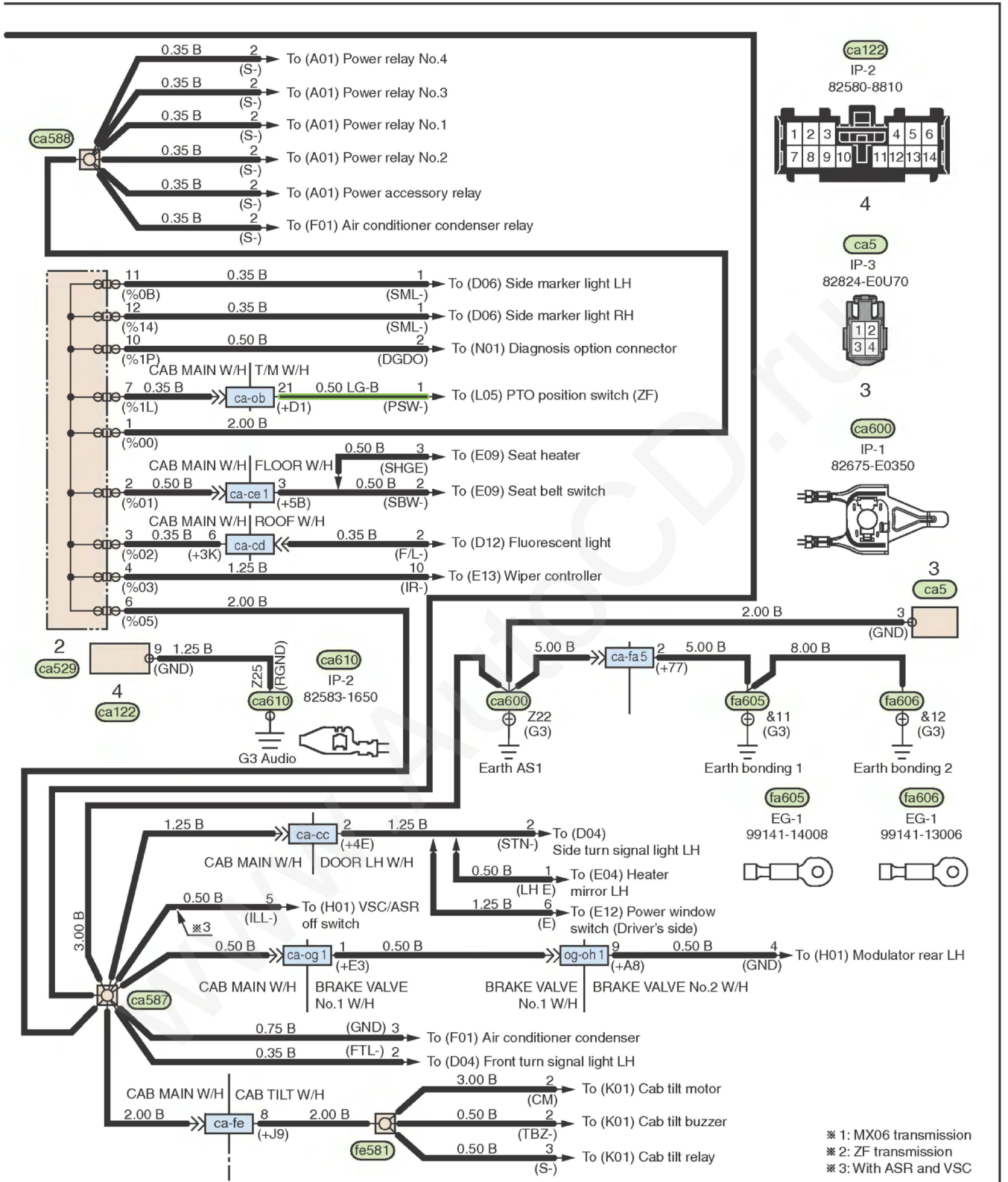
B02. GROUND CIRCUIT No.1 (2 of 2)

EN01J22ZZZ0207001009



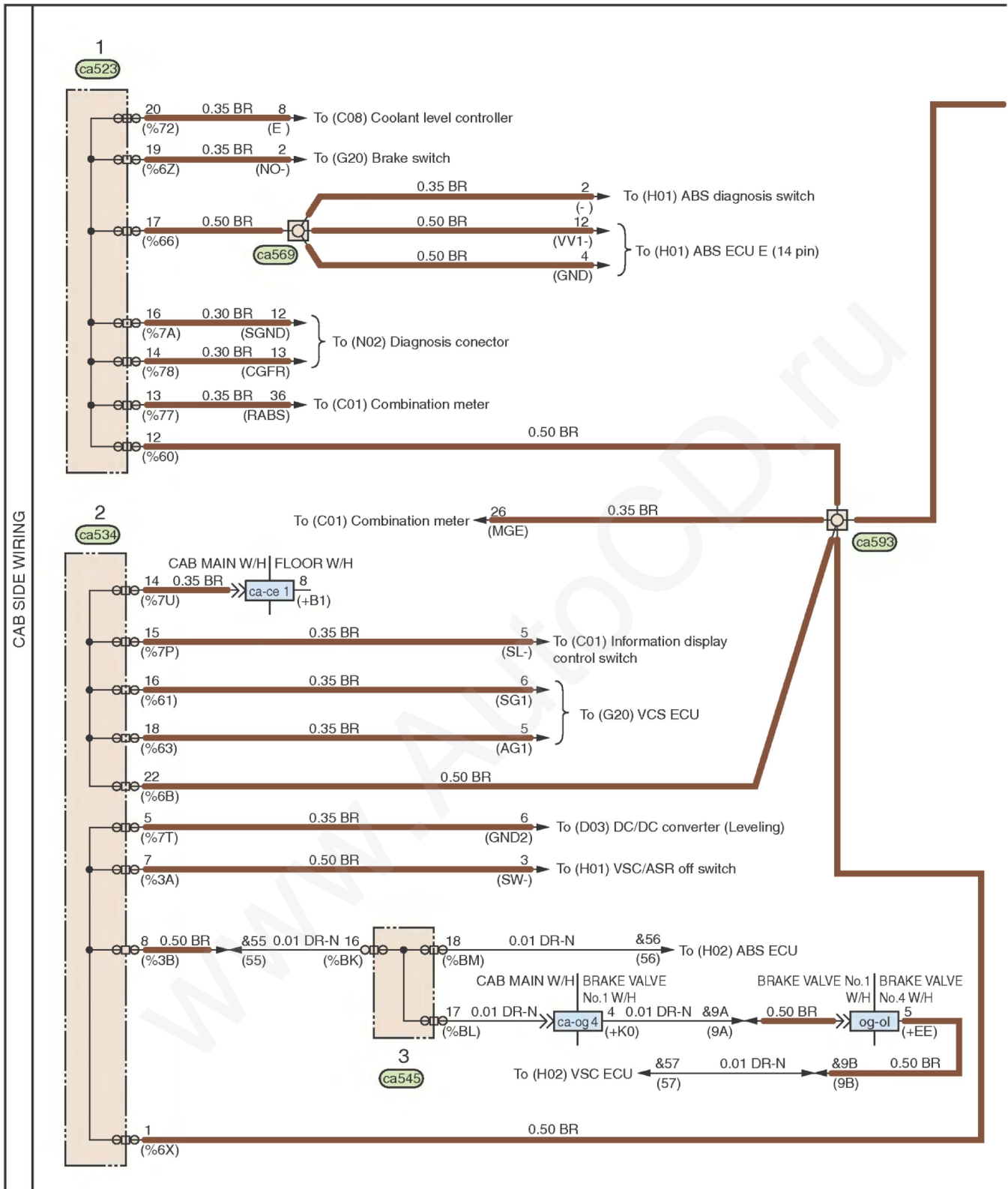
SHTS22ZZZ0200015

- 1. J/C-G3-P2
- 2. J/C-G3-P1
- 3. Service power (Cab-3)
- 4. Radio/Audio unit



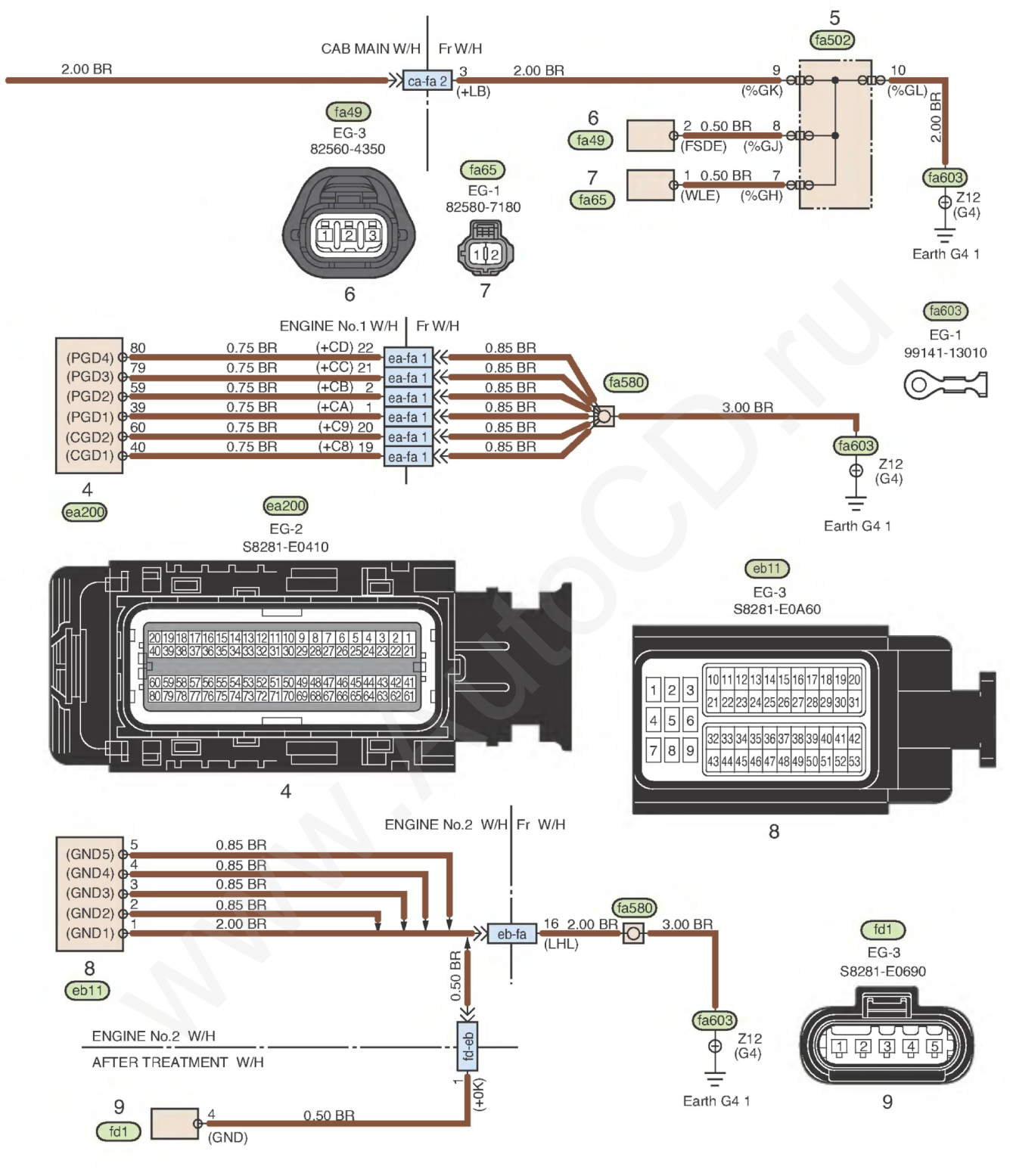
B03. GROUND CIRCUIT No.2

EN01J22ZZZ0207001010



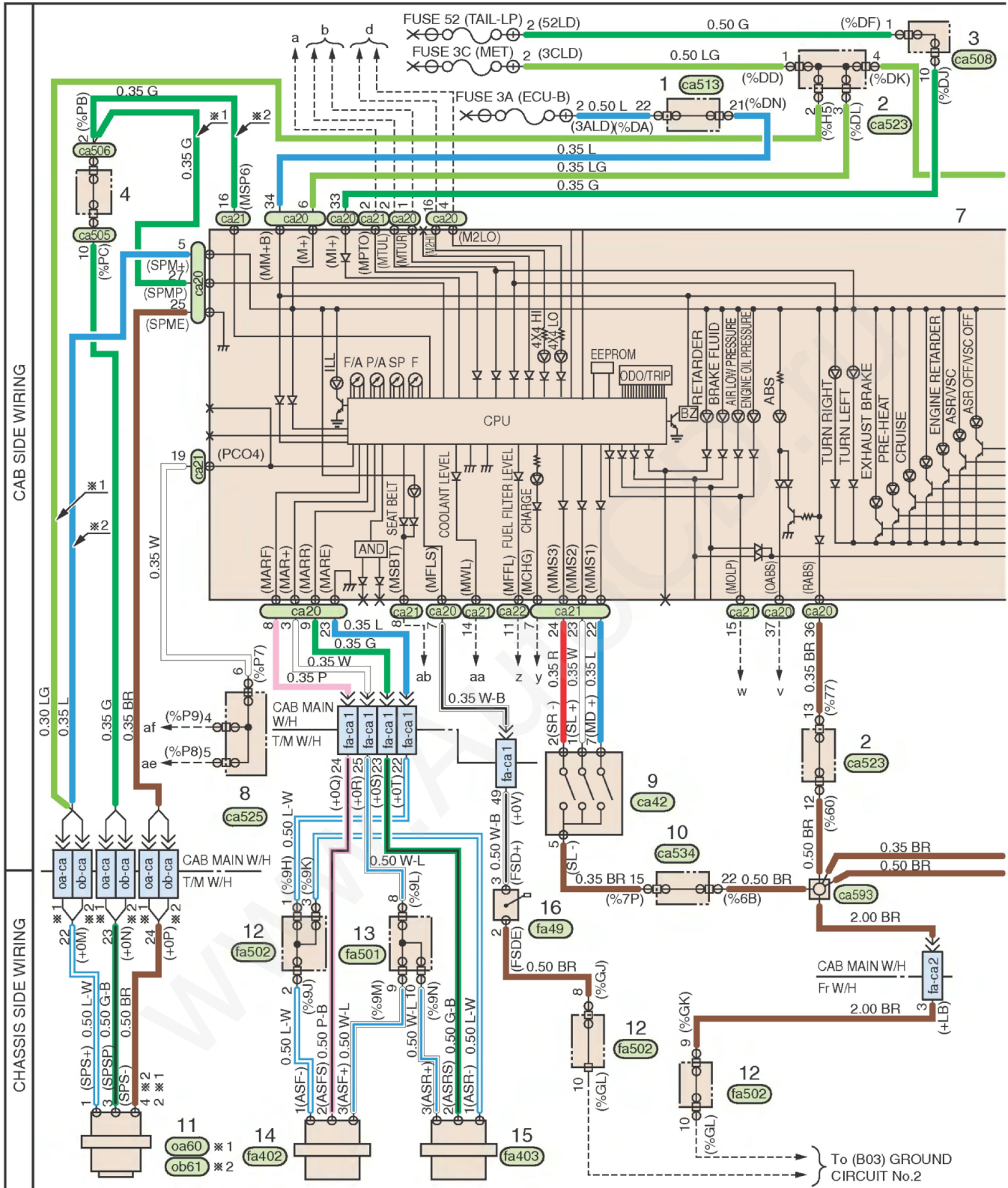
SHTS22ZZZ0200017

- | | |
|--------------------|---------------------------------|
| 1. J/C-ALL4 | 6. Fuel gauge sender unit |
| 2. J/C-G4G5-P1 | 7. Coolant level warning switch |
| 3. J/C VSC | 8. DCU (53 pin) |
| 4. Engine ECU No.1 | 9. NOx sensor |
| 5. J/C-3 | |



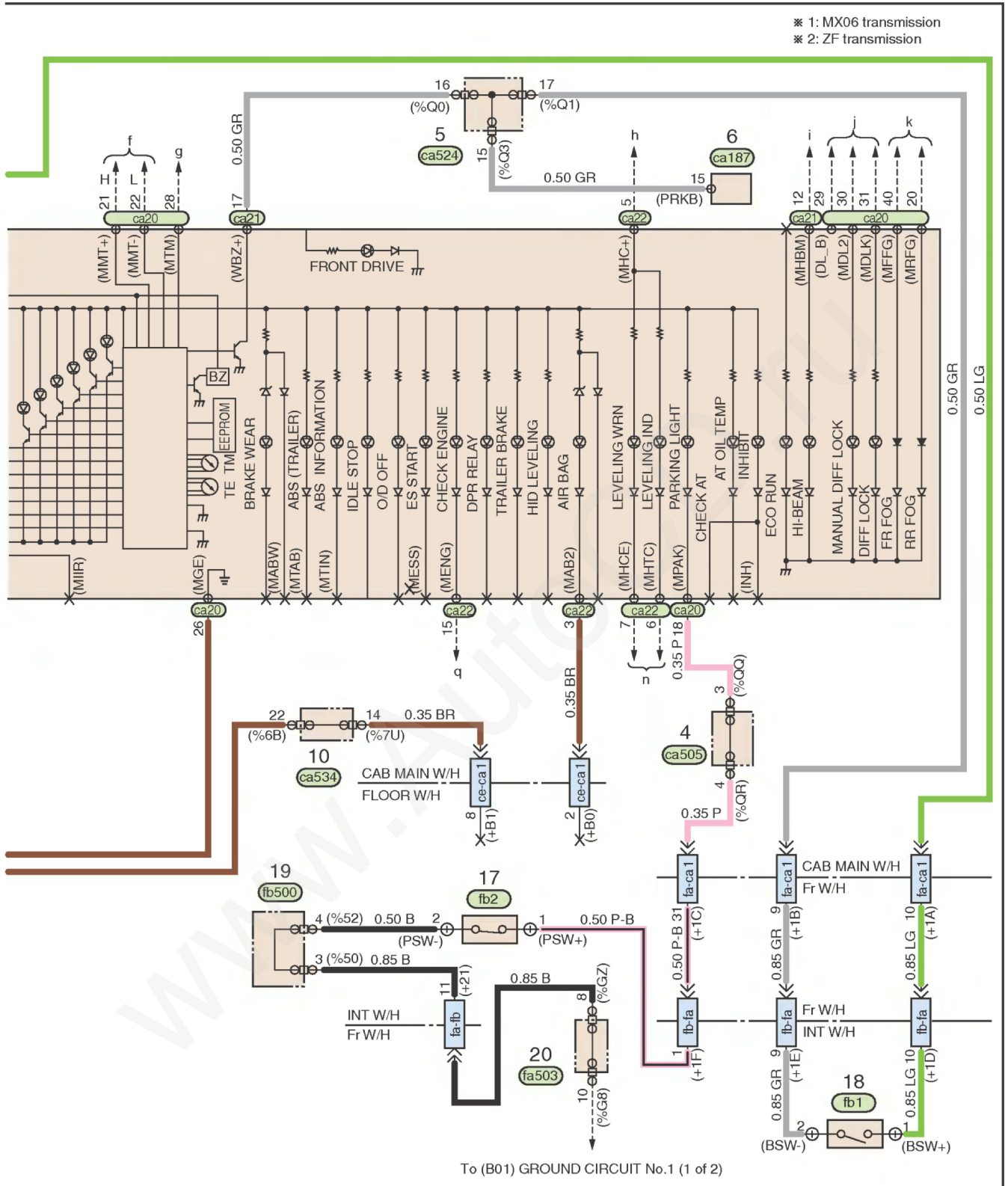
C01. METER CIRCUIT

EN01J22ZZZ0207001011



SHTS22ZZZ0200019

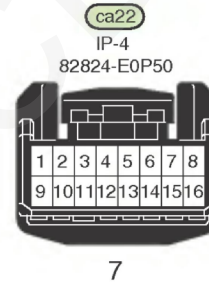
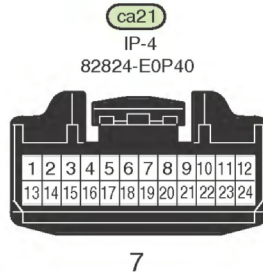
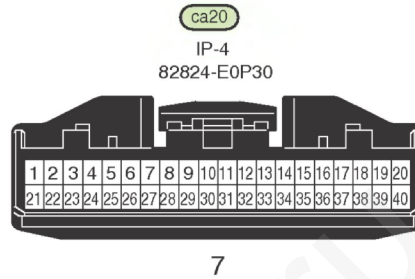
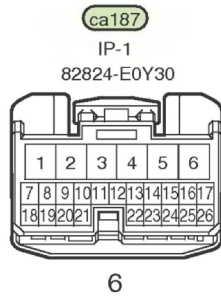
- 1. J/C-RB1
- 2. J/C-ALL4
- 3. J/C-TAIL and CABIG 1
- 4. J/C-ALL5
- 5. J/C-ALL6
- 6. VCS ECU (26P)
- 7. Combination meter
- 8. J/C-ALL7
- 9. Information display control switch
- 10. J/C-G4G5-P1
- 11. Speed sensor No.1
- 12. J/C-3
- 13. J/C-2
- 14. Air gauge sensor (Front)
- 15. Air gauge sensor (Rear)
- 16. Fuel gauge sender unit



SHTS22ZZZ0200020

- | | |
|---|---|
| <ul style="list-style-type: none"> 17. Spring brake switch 18. Buzzer cancel switch 19. J/C G3 20. JC-4 | <ul style="list-style-type: none"> a. To (L01) TRANSMISSION PTO CONTROL CIRCUIT b. To (D04) TURN LIGHT CIRCUIT d. To (J06) LOW-HI INDICATOR LIGHT CIRCUIT f. To (N03) CAN COMMUNICATION CIRCUIT (VEHICLE) g. To (G21) VCS ECU CIRCUIT No.2 h. To (M02) HEIGHT CONTROL CIRCUIT i. To (D01) HEADLIGHT CIRCUIT j. To (H03) DIFFERENTIAL LOCK CIRCUIT |
|---|---|

CONNECTORS FOR CIRCUIT "C01"



SHTS22ZZZ0200021

- k. To (D10) FOG LIGHT CIRCUIT
- n. To (M02) HEIGHT CONTROL CIRCUIT
- q. To (N01) DIAGNOSIS MONITOR CIRCUIT
- v. To (H01) ABS CIRCUIT (1 of 2)
- w. To (G10) COMMON RAIL CIRCUIT (1 of 2)
- y. To (A07) CHARGING CIRCUIT

- z. To (G10) COMMON RAIL CIRCUIT (1 of 2)
- aa. To (C08) COOLANT LEVEL WARNING CIRCUIT
- ab. To (E09) SEAT BELT + SEAT HEATER CIRCUIT
- ae. To (G20) VCS ECU CIRCUIT No.1
- af. To (G10) COMMON RAIL CIRCUIT (1 of 2)

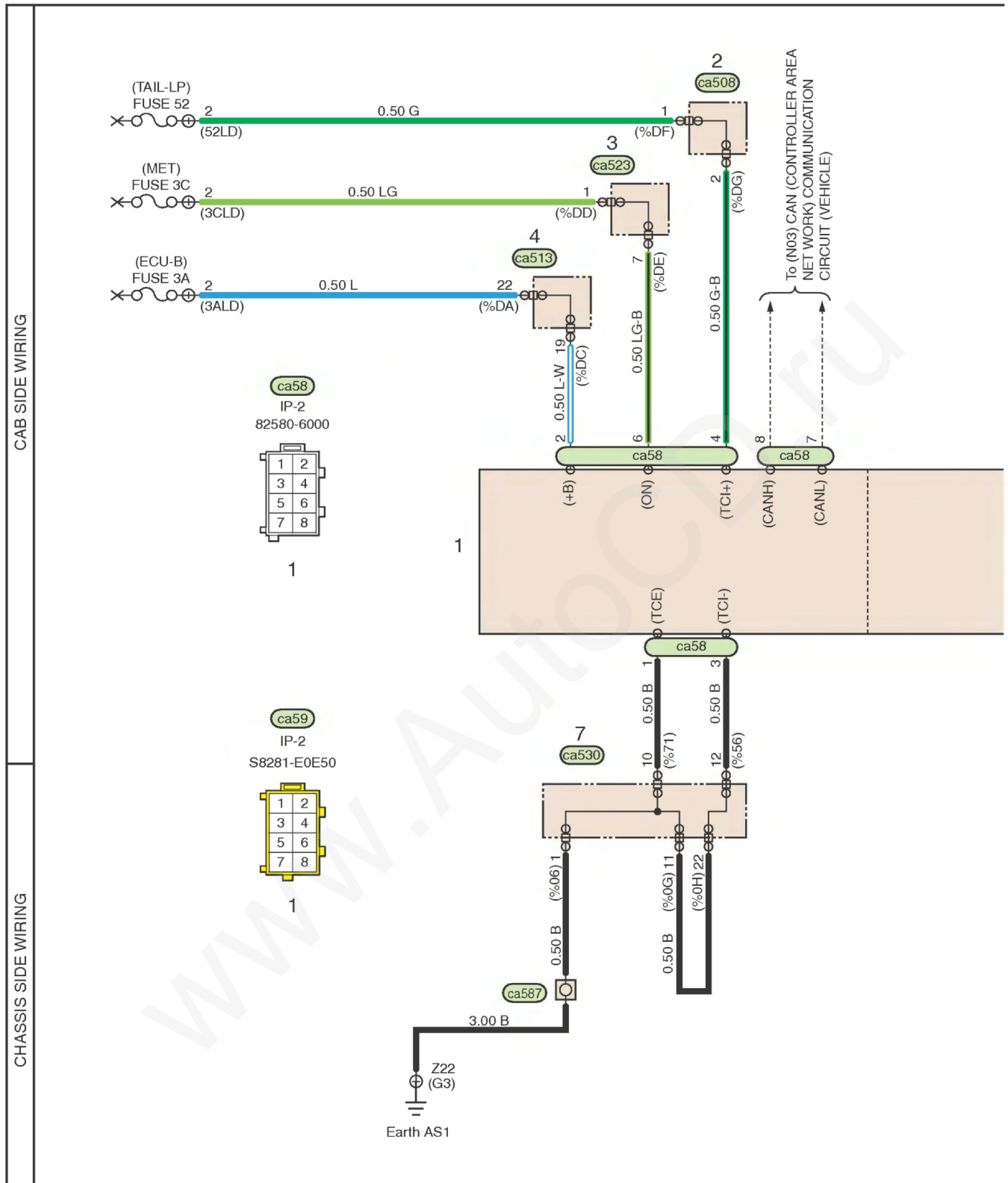


※ 1: MX06 transmission
※ 2: ZF transmission



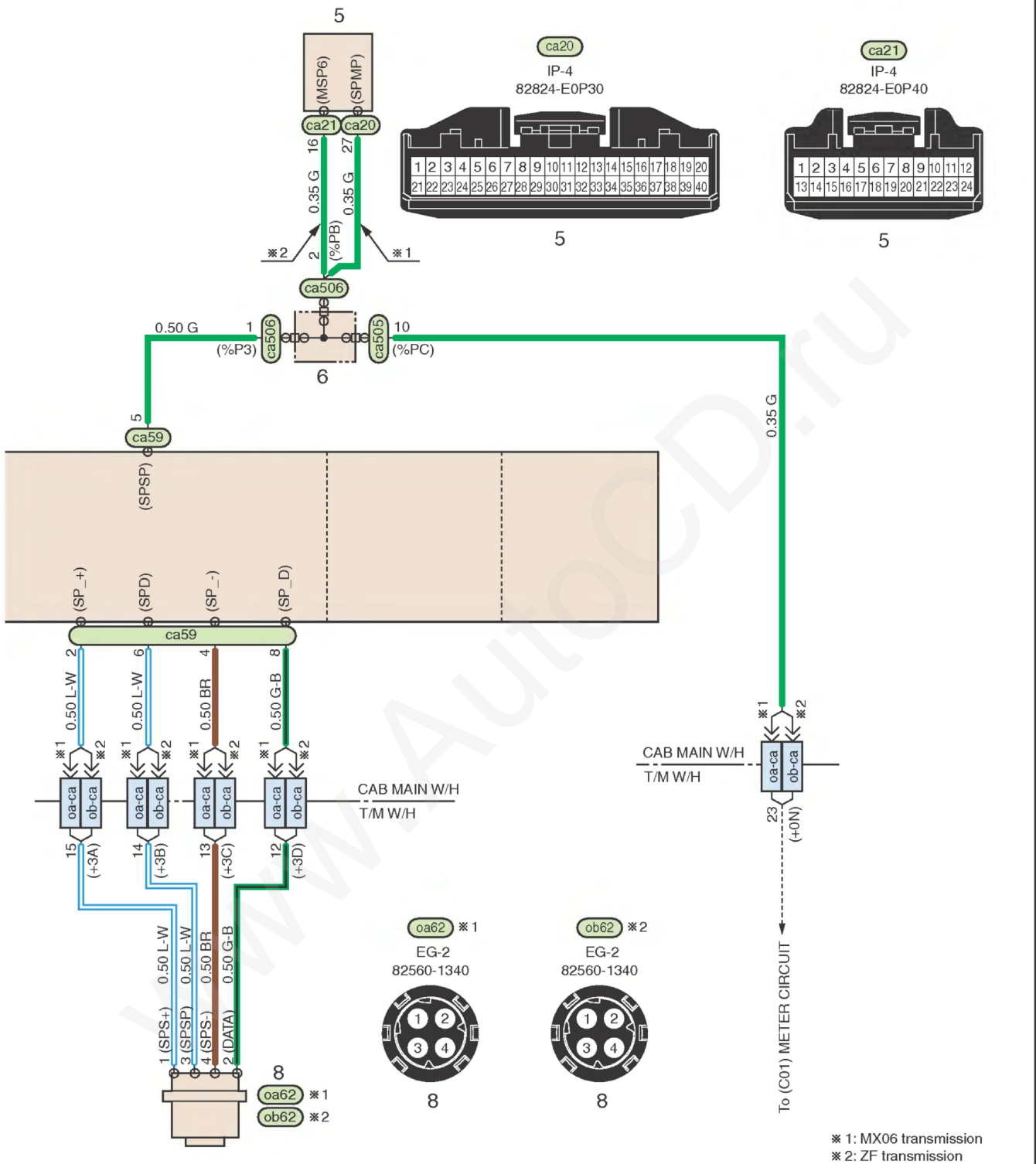
C09. TACHOGRAPH CIRCUIT

EN01J22ZZZ0207001013



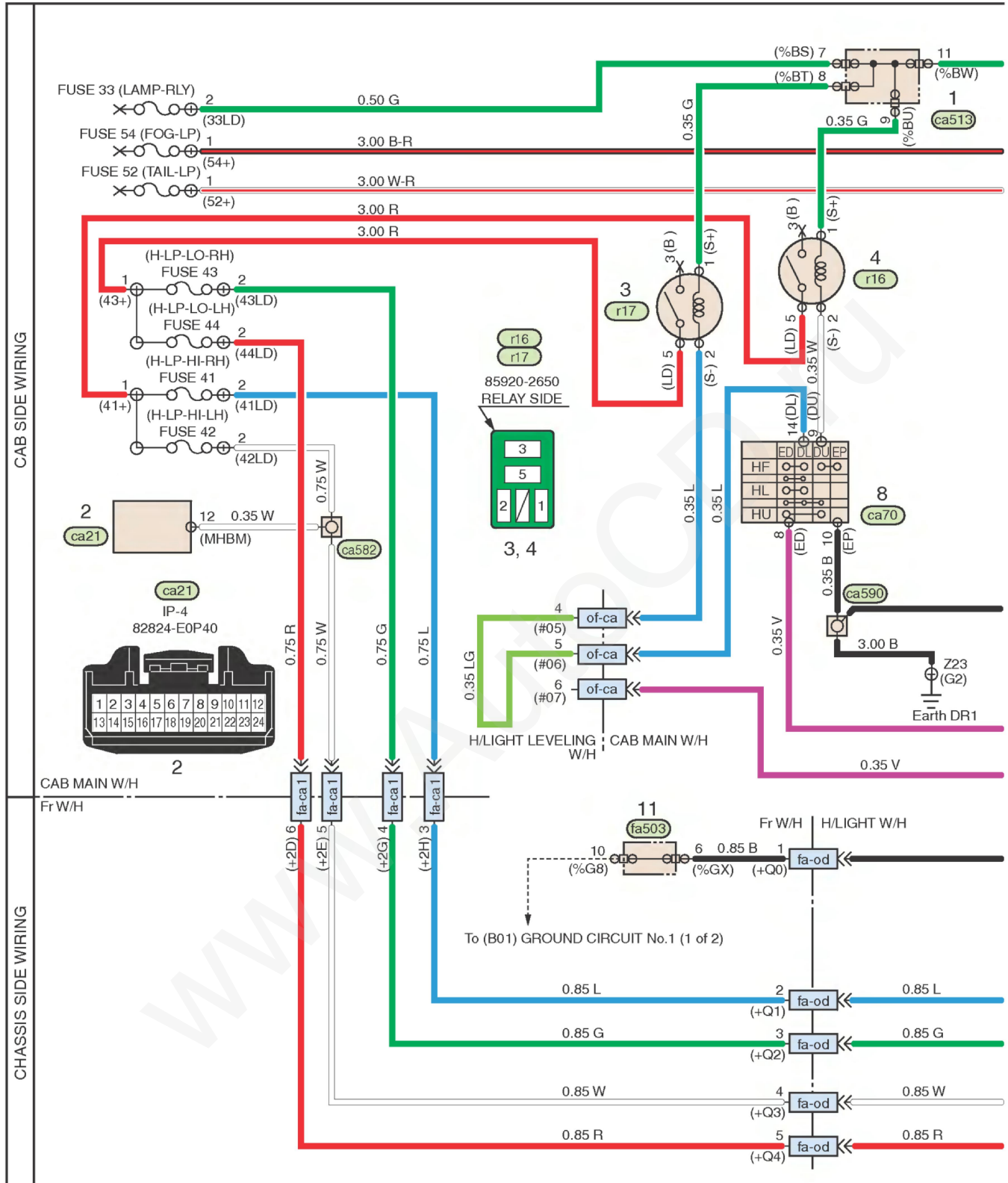
SHTS22ZZZ0200025

- | | |
|-------------------------|----------------------|
| 1. Digital tachograph | 5. Combination meter |
| 2. J/C-TAIL and CABIG 1 | 6. J/C-ALL5 |
| 3. J/C-ALL4 | 7. J/C-G3-P2 |
| 4. J/C-RB1 | 8. Speed sensor No.2 |



D01. HEADLIGHT CIRCUIT

EN01J22ZZZ0207001014



SHTS22ZZZ0200027

- | | |
|-------------------------------|---------------------------|
| 1. J/C-RB1 | 8. Light and turn switch |
| 2. Combination meter (24 pin) | 9. J/C-ALL5 |
| 3. Headlight relay (Dimmer) | 10. Rear fog light switch |
| 4. Headlight relay (Main) | 11. J/C-4 |
| 5. Tail light relay No.1 | 12. Headlight RH |
| 6. Tail light relay No.2 | 13. Headlight LH |
| 7. J/C-ALL1 | |